

**ARTSPACE
FLOOR PLAN**



STORAGE

**ARTIST
IN
RESIDENCE**

**PROJECT
ROOM**

REST ROOMS

GALLERY 4

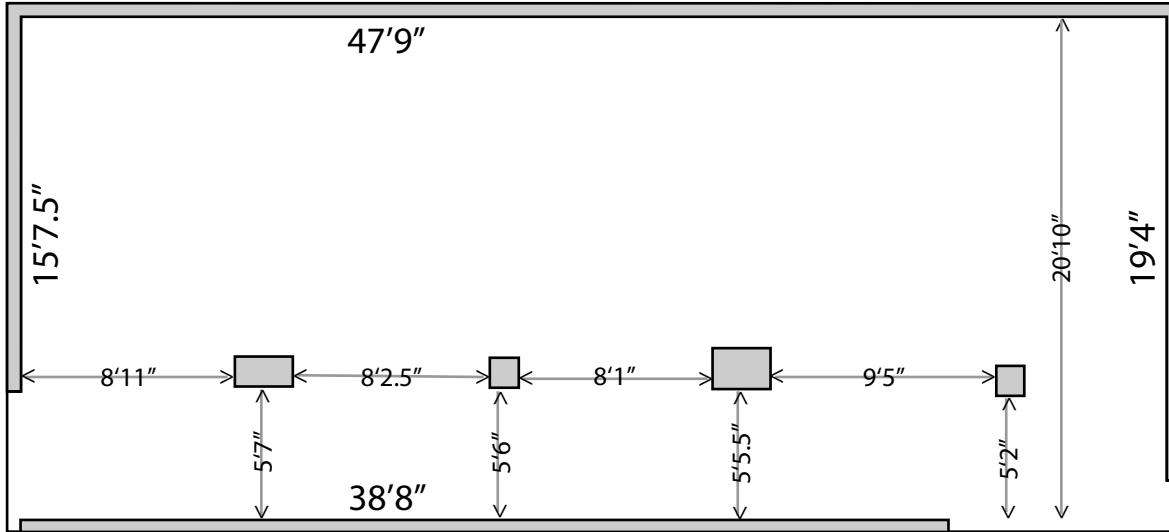
GALLERY 1

GALLERY 3

GALLERY 2

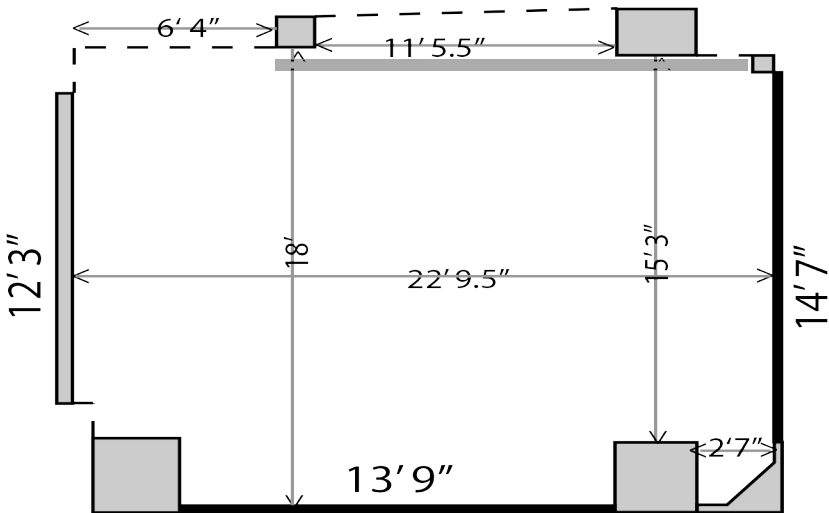
OFFICE

ENTRANCE



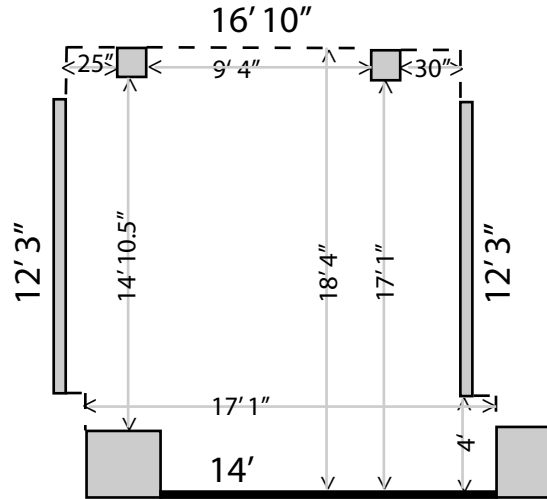
GALLERY 1

Scale: 1/8" = 1'



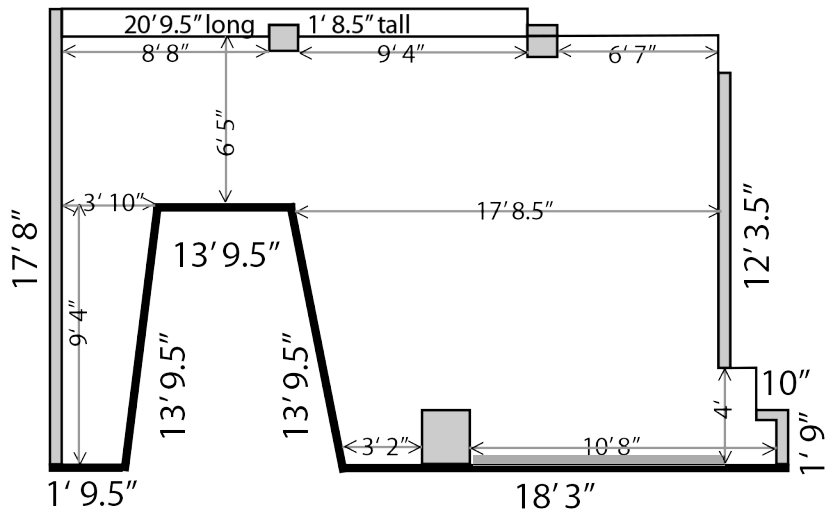
GALLERY 2

Scale: $1/8'' = 1'$



GALLERY 3

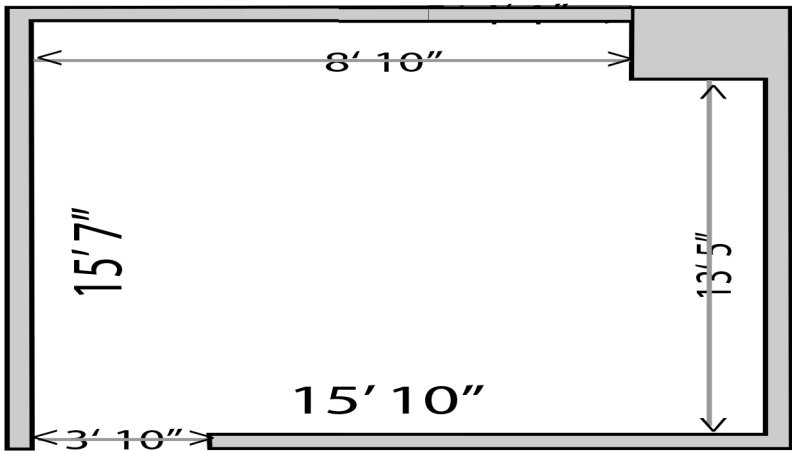
Scale: 1/8" = 1'



Crown Street Window

GALLERY 4

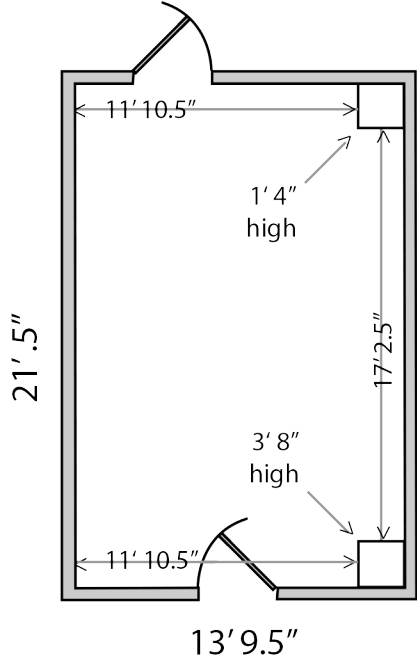
Scale: 1/8" = 1'



PROJECT ROOM

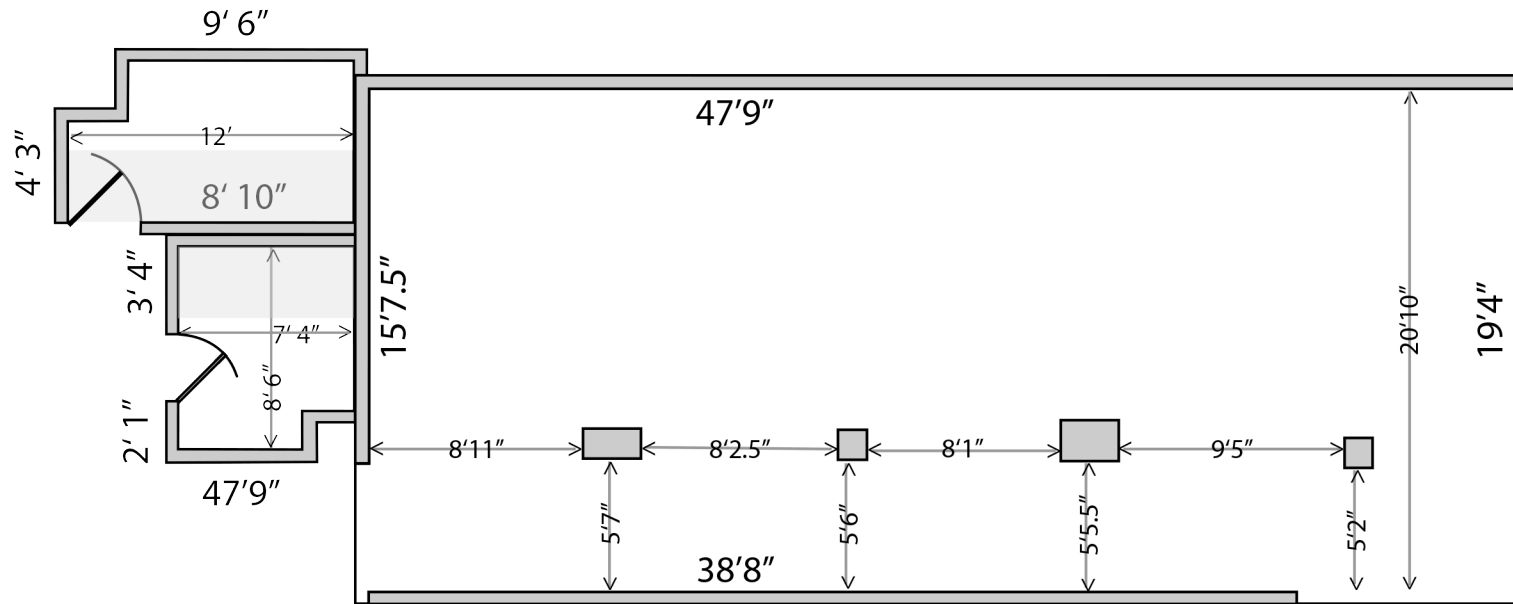
Scale: $1/8'' = 1'$

ARTIST IN-RESIDENCE



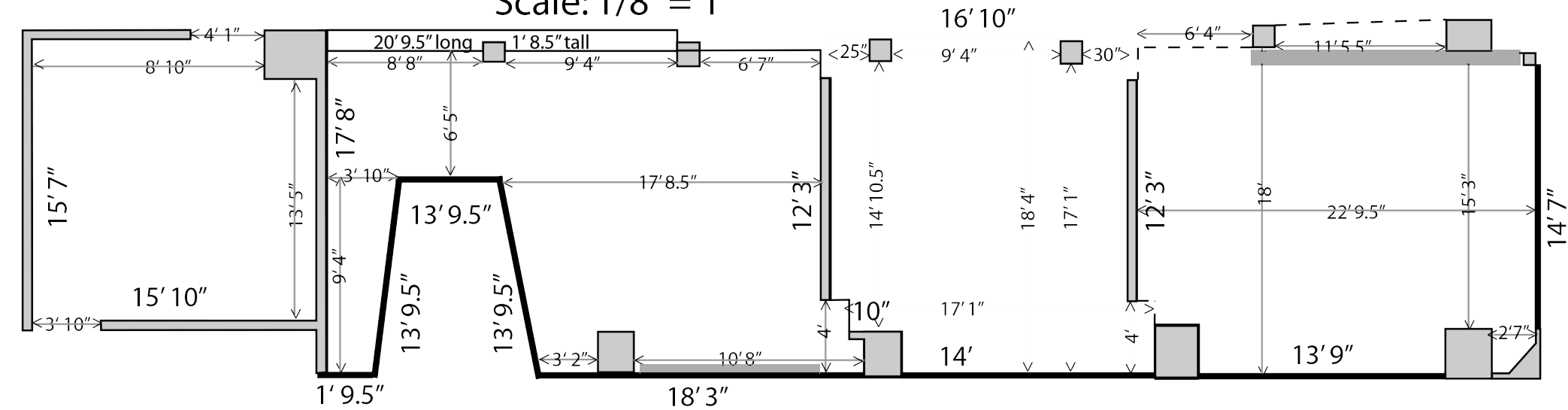
REST ROOMS

light grey area is where toilet/sink are located



GALLERY 1

Scale: 1/8" = 1'



PROJECT ROOM

GALLERY 4

GALLERY 3

GALLERY 2